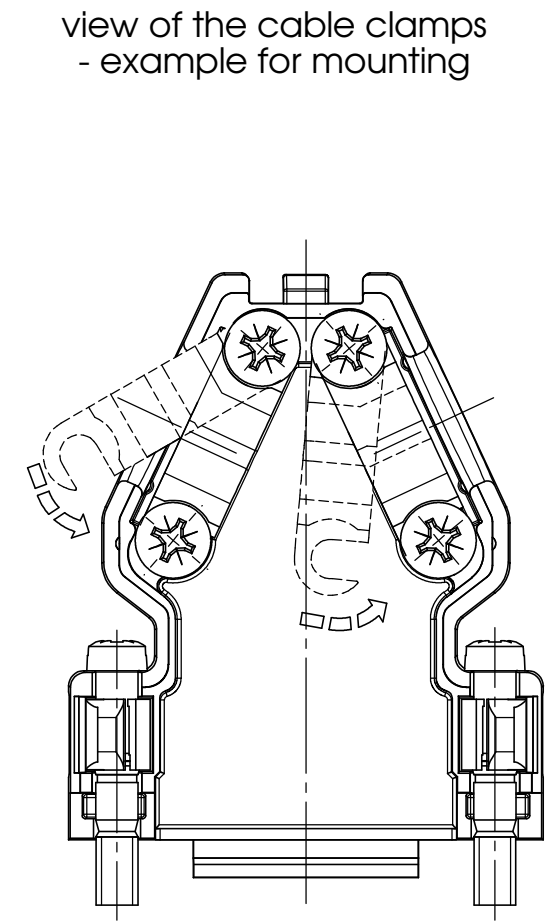
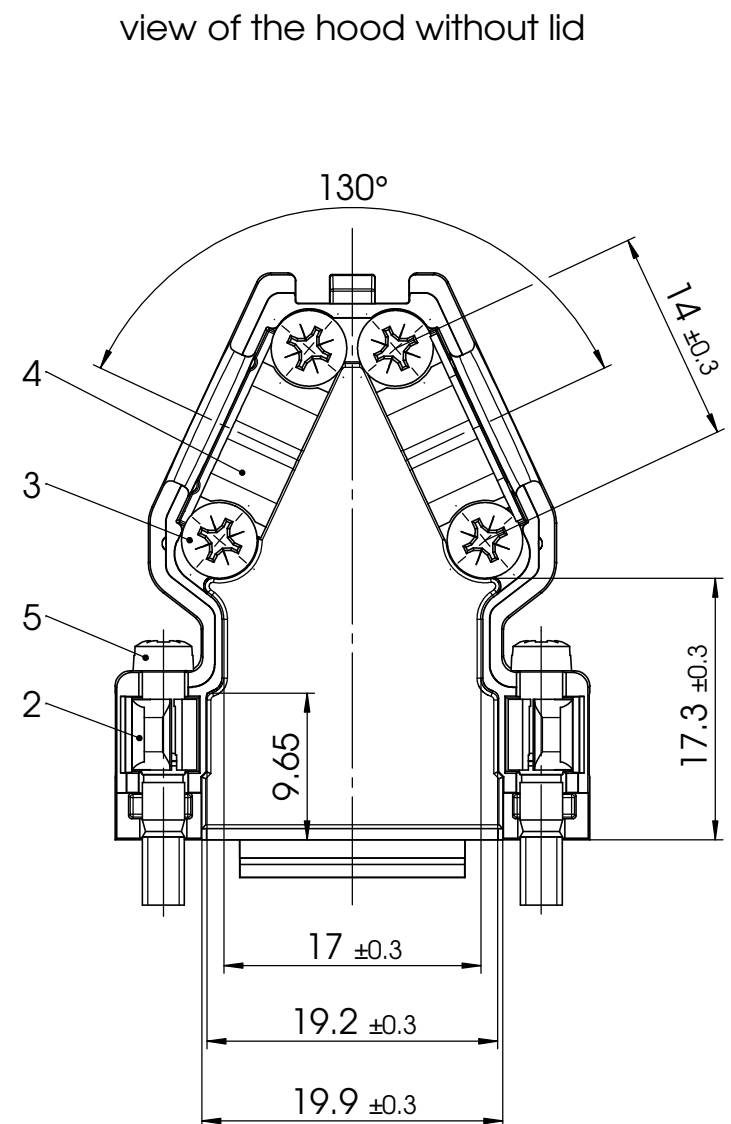
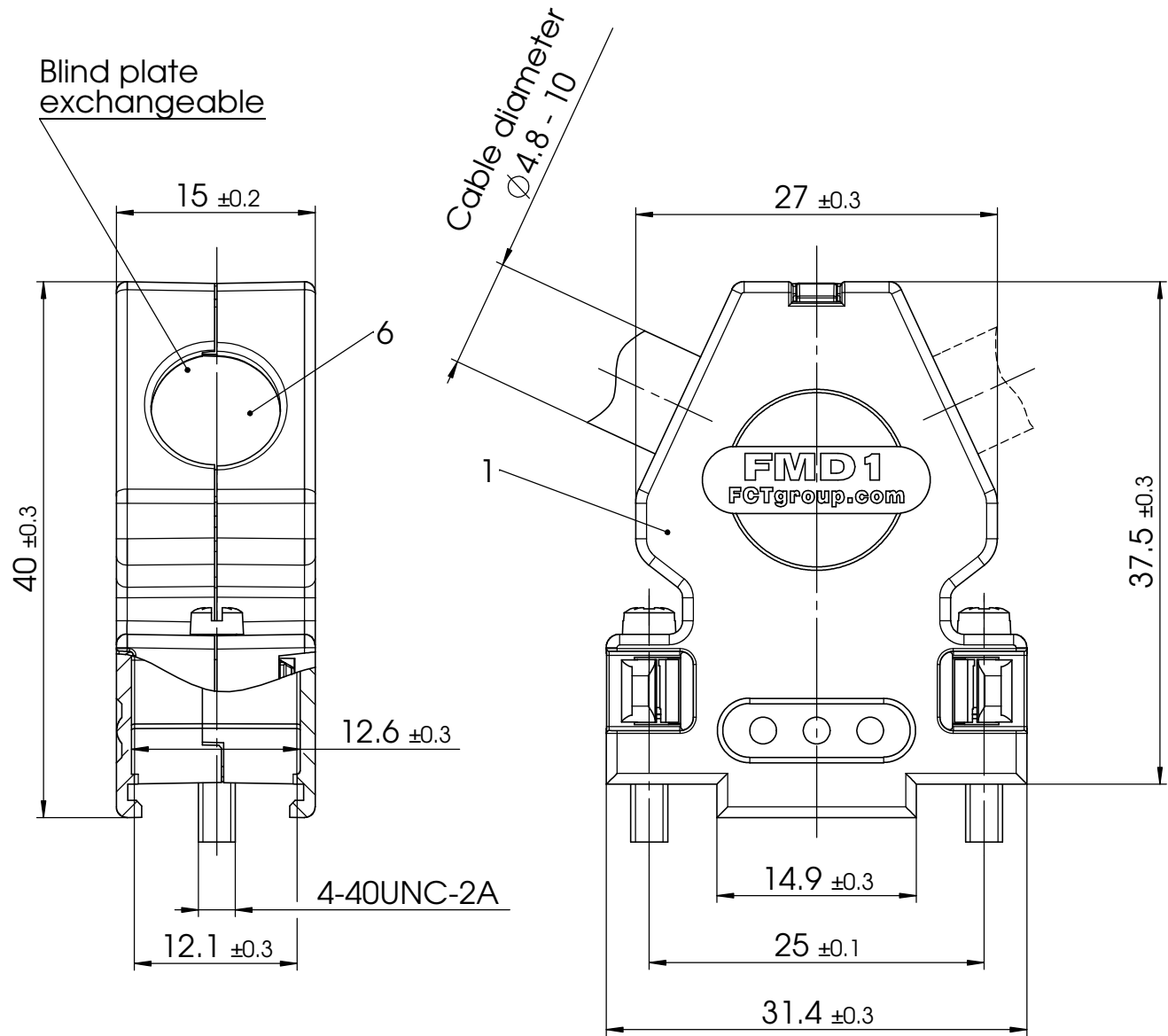


COMMENT:
 ALL RIGHTS ARE RESERVED BY US FOR THIS DRAWING. WITHOUT OUR PRIOR CONSENT,
 IT MAY NEITHER BE REPRODUCED NOR MADE AVAILABLE TO A THIRD PARTY.
 AND IT ALSO MAY NOT BE IMPROPERLY USED BY THE RECEIVER, OR A THIRD PARTY.



Metal hood with two cable outlets.
 Alternative on one side closed cable outlet, with Blind plate.

max. torque are 40 Ncm
 Hood is snapped together
 Part-No. 6 is not mounted

| No. | St. | Part | Type | Description/Material | Surface plating/Colour/Class |
|-----|-----|---------------|---------------------------|----------------------|------------------------------|
| 6 | 1 | Blind plate | Stainless steel | | blank |
| 5 | 2 | Locking screw | FVS1/5-K1163 4-40 / Steel | | nickel plated |
| 4 | 2 | Cable clamp | Steel | | tin plated |
| 3 | 4 | Screw | Case hardened steel | | zinc plated |
| 2 | 2 | Catch spring | Polyester | | green |
| 1 | 1 | Hood | FMD1 / Zinc die-cast | | nickel plated |

| | | | | | | |
|---|------|--|---------|------------------------------------|------------------|---------|
| | | Measurement without tolerance occ. to ISO 2768-m | | SCALE | TITLE | |
| | | | | 2:1 | Metal Hood | |
| | | DRAWN | | NAME / DATE | | |
| | | CHECKED | | 01-12-2011 | | |
| | | | | 05-07-2012 | | |
| | | | | DWG.NO. | | REV. |
| | | fctgroup.com | | FMD1 | | 1 |
| 1 | REV. | DATE | CH.-NO. | ORIGINAL: DIN A3-DRAWING AS A FILE | REPLACEMENT FOR: | PAGES 1 |